

Principal Applications

For applications requiring safe, leak-free, continuous flow of aggressive chemicals, acids, alkalis, sterile and chilled fluids.

Wetted Materials

Standard EPDM O Ring, optional Nitrile or Viton
 PP encapsulated magnet
 PP pump body
 PPS spindle housing
 Alumina ceramic spindle

Features

Manufactured in chemical resistant thermo-plastics – entirely non-metallic
 Magnetic couplings provide an energy efficient thermal shield,
 minimising heat transfer to the pumped fluid
 IPX5 standard motor housing
 Deep groove ball bearings

NEMP25/5

230V 1 Ph 50Hz
 230V 1 Ph 50Hz
 230V 1 Ph 60Hz
 230V 1 Ph 60Hz

Port Details

Plain 15 mm
 3/8" BSP MALE
 Plain 15 mm
 3/8" BSP MALE

NEMP25/5

110V 1Ph 50Hz
 110V 1Ph 50Hz
 110V 1Ph 60Hz
 110V 1Ph 60Hz

Port Details

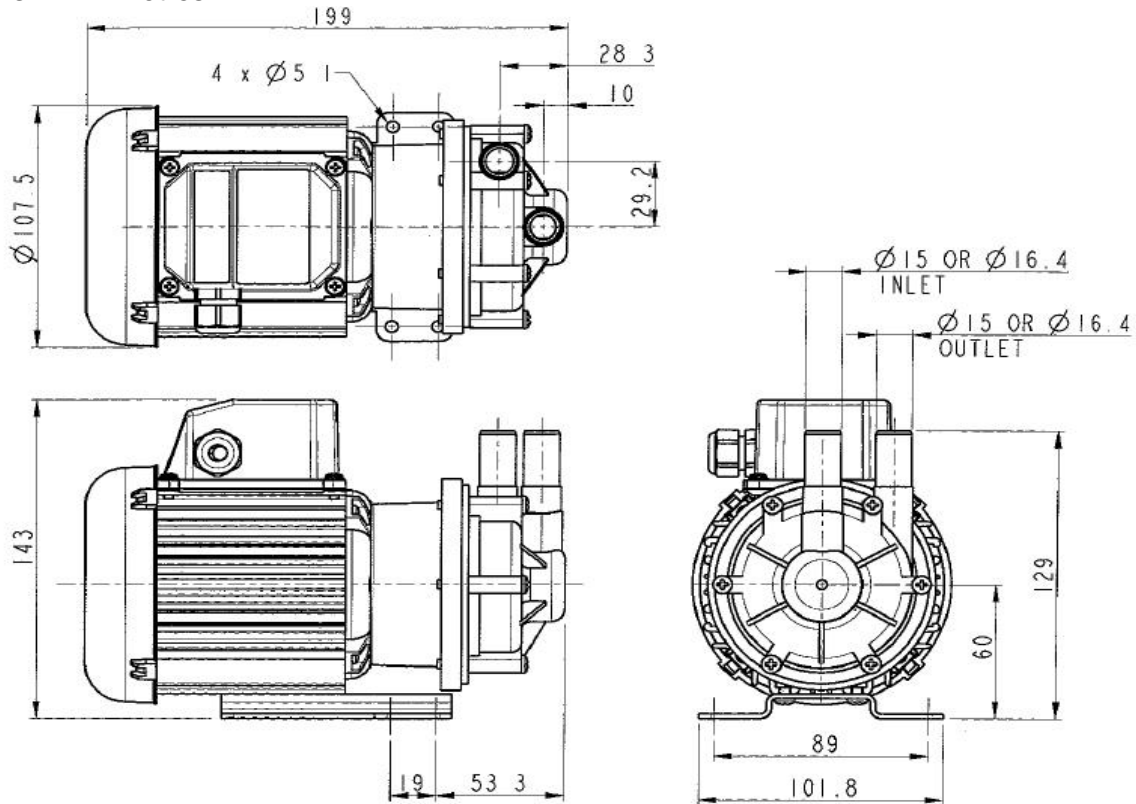
Plain 15mm
 3/8" BSP MALE
 Plain 15mm
 3/8" BSP MALE

16.5 mm optional

Installation

Drawings not to scale
Dimensions in millimetres

NEMP25/5

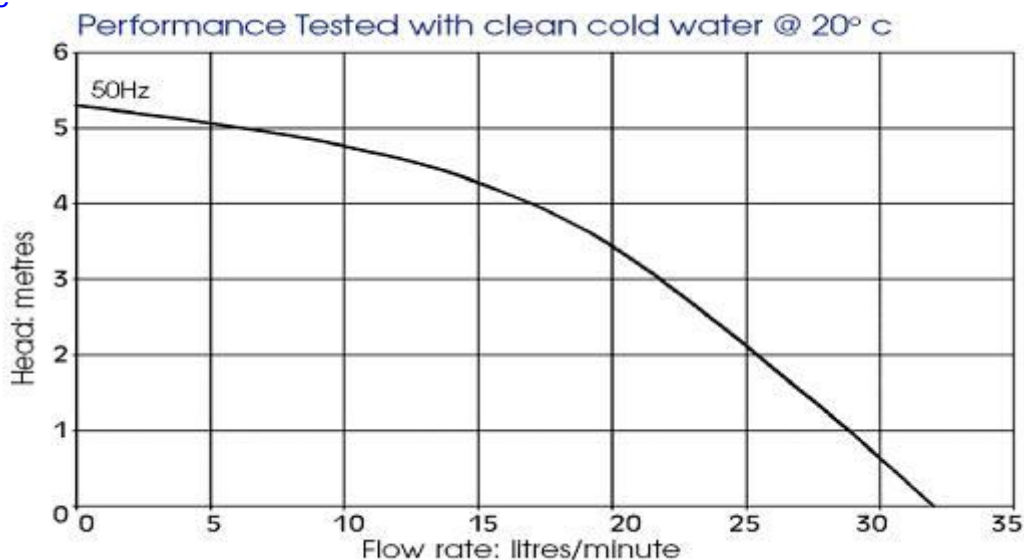


Specification

Model	Overall height (mm)	Overall length (mm)	Overall width (mm)	Weight (kg)	Max body pressure (bar)	Run-out flow rate (l/min)	Closed valve head (m)	Temp range (degC)	*Max specific gravity	Motor output (watts)
NEMP25/5	143	199	102	2.4	1.4	32	5.3	-20 to +85	1.2	35

*Assuming maximum viscosity of 30cp. Refer to Totton Pumps for higher viscosities and specific gravities

Performance

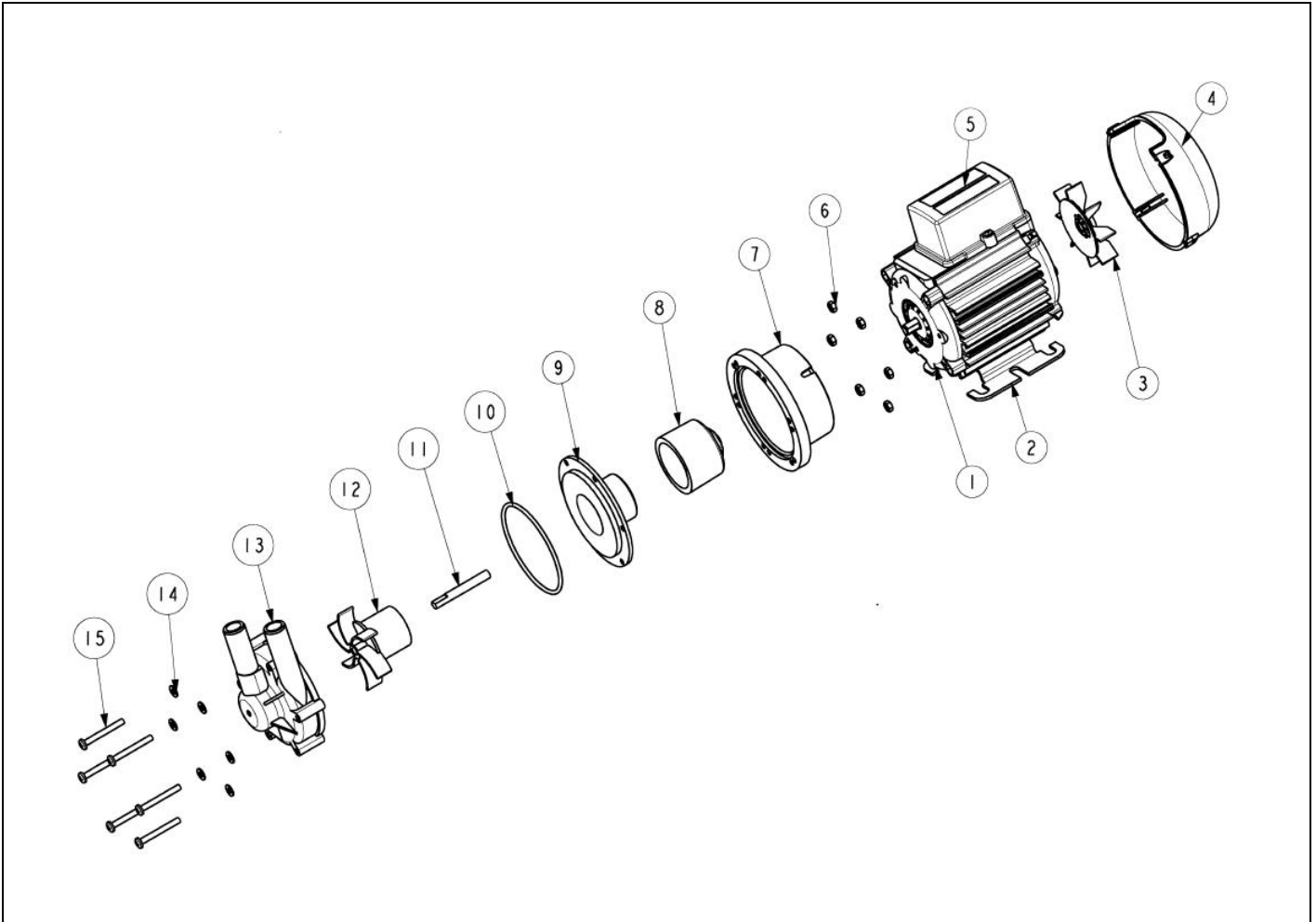


NOTE: These magnetically coupled pumps are designed for use with clean fluids. Solids will cause jamming. Abrasives will reduce pump life & invalidate the warranty.

NEMP pumps are not self priming & are not designed to run dry

The company reserves the right to change specifications

Part List



Item Number	Description	Quantity	Part Number		
1	Motor	1	116849 (230 V)		116874 (110V)
2	Mounting Foot	1	036329		
3	Fan	1	001577		
4	Fan Cowl	1	036085		
5	Terminal Box	1	036078		
6	Nut	6	032105		
7	Adaptor	1	036324		
8	Drive Magnet	1	006287		
9	Spindle Housing	1	016311		
10	O ring	1	013290 (EPDM)	003398 (Nitrile)	021056 (Viton)
11	Spindle	1	006244		
12	Impeller	1	026214 (50Hz)	026213 (60Hz)	
13	Pump Body	1	016303 (plain ports)	036353 (threaded ports)	
14	Washer	1	001565		
15	Screw	6	022115		

Totton Pumps Ltd.

Tel: +44 (0)23 8066 6685

Fax: +44 (0)23 8066 6880

Email: info@totton-pumps.com

Web: www.totton-pumps.co.uk