

Principle Applications

Designed for hot & cold drinks vending, water circulation, re-circulation & cooling duties in beverage, laboratory, agricultural, print, photographic & industrial processing applications and other short time rated applications.
12 Volt & 24 Volt versions to suit vehicular applications

Wetted Materials

Standard EPDM 'O' ring, optional Nitrile or Silicone or Viton®
Strontium ferrite magnet
Stainless steel spindle
PP pump housing
PPS option available

Features

Magnetically coupled, sealless leak-free design
Pump body orientation easily altered to suit installations
Variable mounting foot positions
Lifts to 5 metres

Options

DC30/5
12V DC
12V DC

Port Details
1/2" BSP
Plain 21 mm

DC30/5
24V DC
24V DC

Port Details
1/2" BSP
Plain 21 mm



ITT

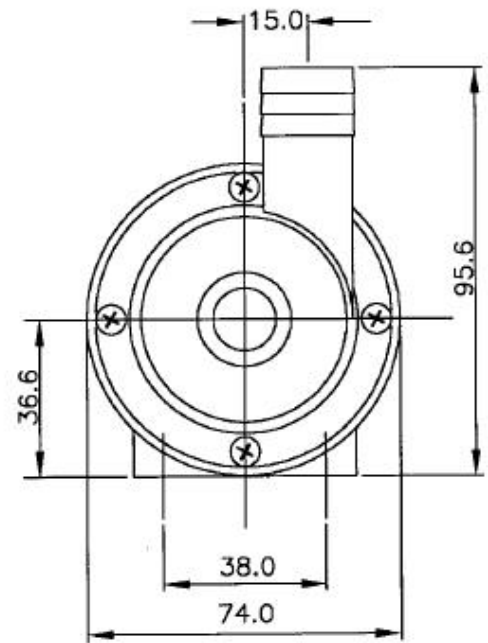
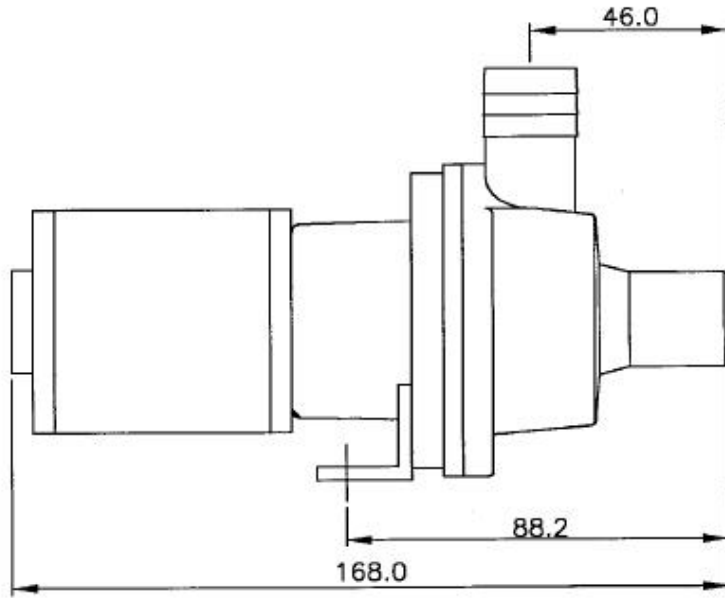
Engineered for life



Installation

Drawings not to scale
Dimensions in millimetres

DC30/5



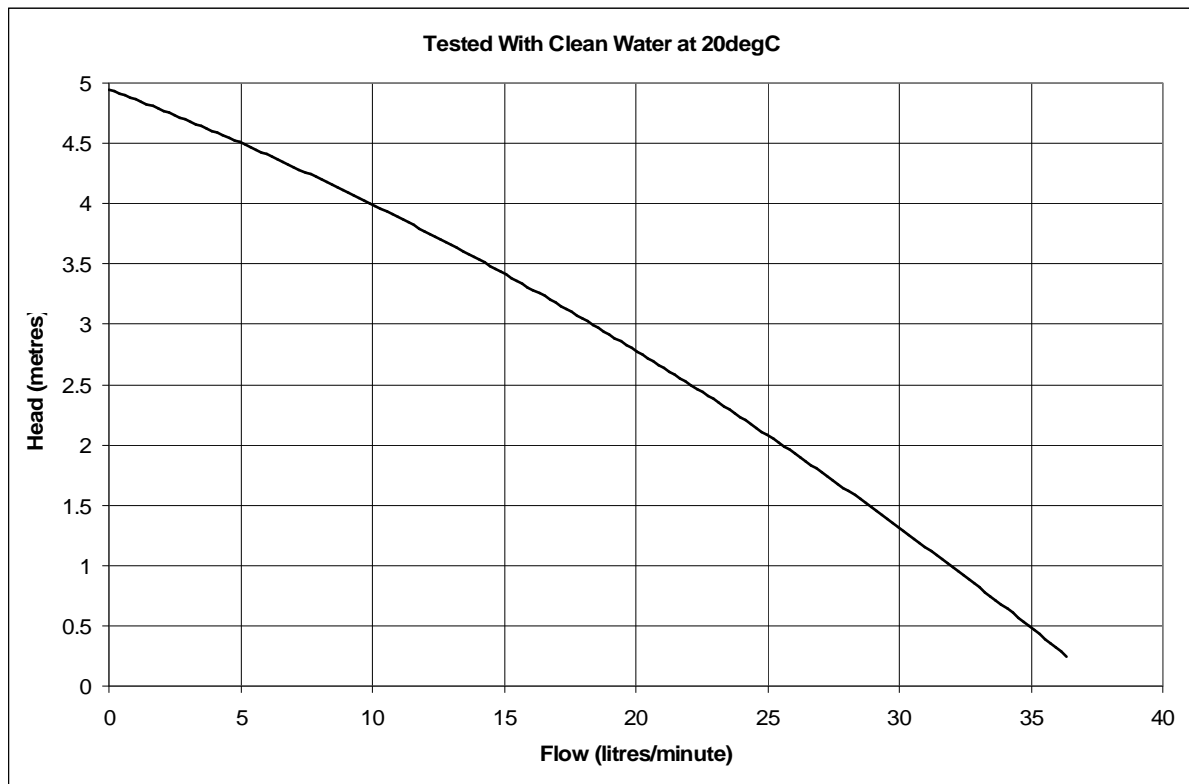
mounting foot fixing holes:M5

Specification

Model	Overall height (mm)	Overall length (mm)	Overall width (mm)	Weight (kg)	Max body pressure (bar)	Run-out flow rate (l/min)	Closed valve head (m)	Temp range (degC)	*Max specific gravity	Motor output (watts)
DC30/5	96	168	74	0.7	1.4	35	5.0	-20 to +85	1.0	25

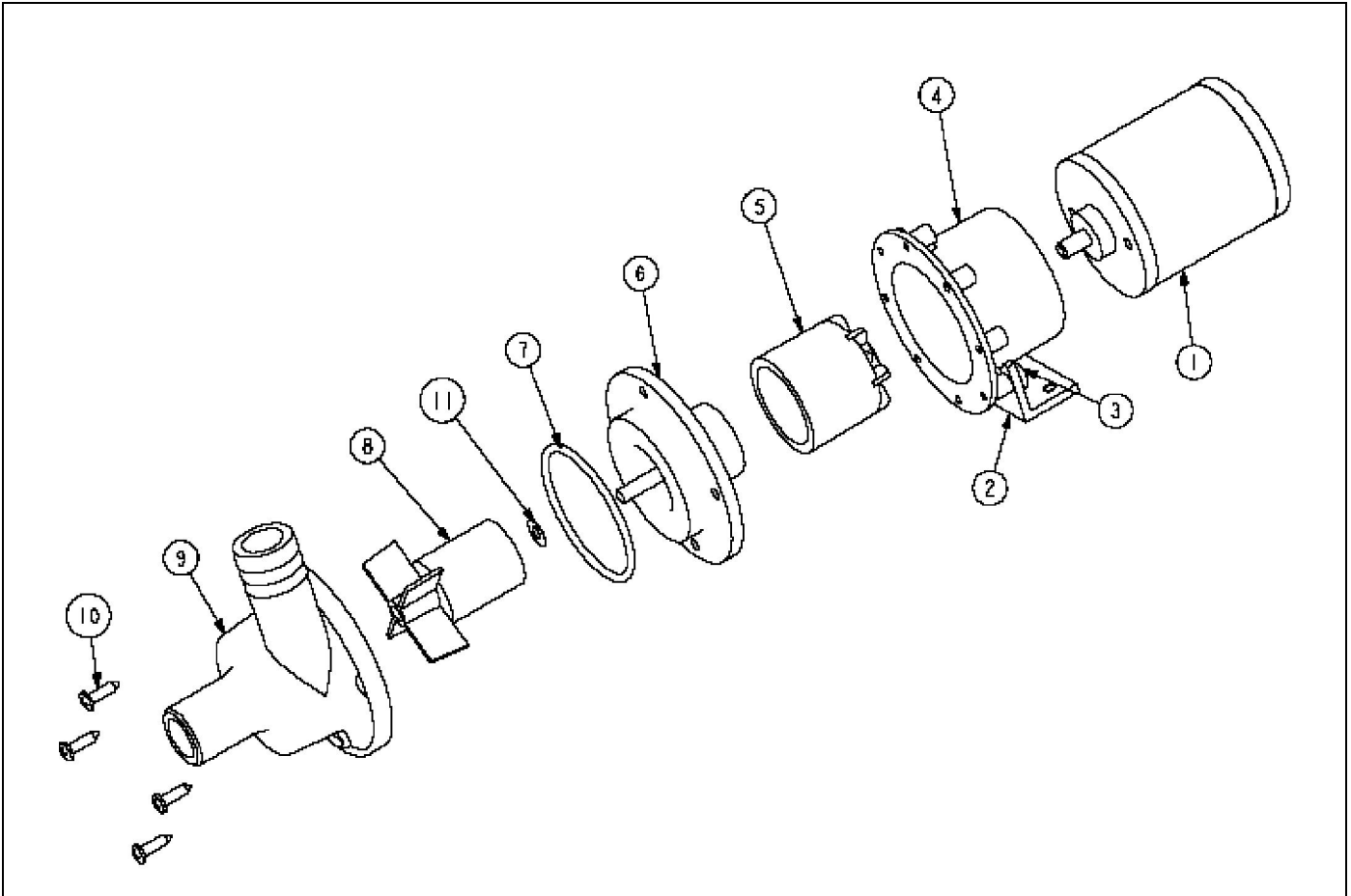
*Assuming maximum viscosity of 30cp. Refer to Totton Pumps for higher viscosities and specific gravities

Performance



VM and DC pumps are not self-priming and are not designed to run dry.
The company reserves the right change specifications.

Part List



Item Number	Description	Quantity	Part Number			
1	Motor	1	013808 (12V)		013809 (24V)	
2	Mounting Bracket	1	043308			
3/10	Screw	6	022163			
4	Adaptor	1	003145			
5	Drive Magnet	1	023267			
6	Spindle Housing	1	003357			
7	O-ring	1	013291 (EPDM)	003265 (Viton)	003224 (Nitrile)	023224 (Silicone)
8	Impeller	1	013268			
9	Pump Body	1	013333 (plain)		013334 (threaded)	
11	Shim	1	001624			

Totton Pumps Ltd.

Tel: +44 (0) 23 8066 6685

Fax: +44 (0) 23 8066 6880

Email: info@totton-pumps.com

Web: www.totton-pumps.co.uk