

Principle Applications

Designed for hot & cold drinks vending, water circulation, re-circulation & cooling duties in beverage, laboratory, agricultural, print, photographic & industrial processing applications and other short time rated applications.
12 Volt & 24 Volt versions to suit vehicular applications

Wetted Materials

Standard EPDM 'O' ring, optional Nitrile or Silicone or Viton®
Strontium ferrite magnet
Stainless steel spindle
PP pump housing
PPS option available

Features

Magnetically coupled, sealless leak-free design
Pump body orientation easily altered to suit installations
Variable mounting foot positions
Lifts to 5 metres

Options

DC15/5
12V DC
12V DC

Port Details
1/4" BSP M
Plain 13 mm

DC15/5
24V DC
24V DC

Port Details
1/4" BSP M
Plain 13 mm



ITT

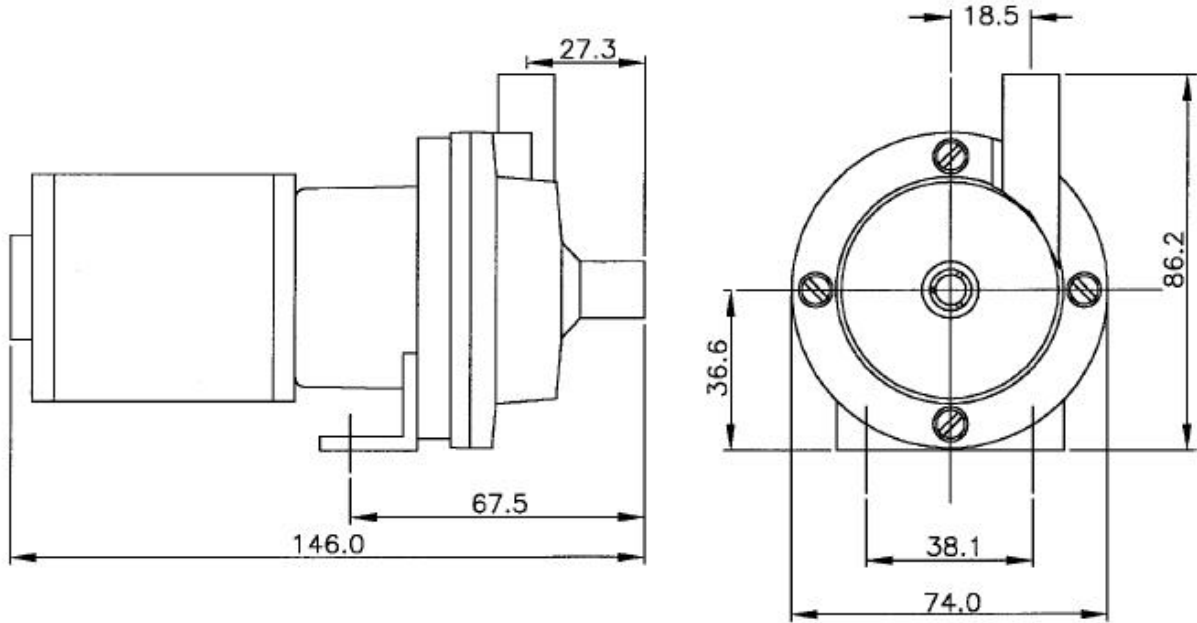
Engineered for life



Installation

Drawings not to scale
 Dimensions in millimetres

DC15/5



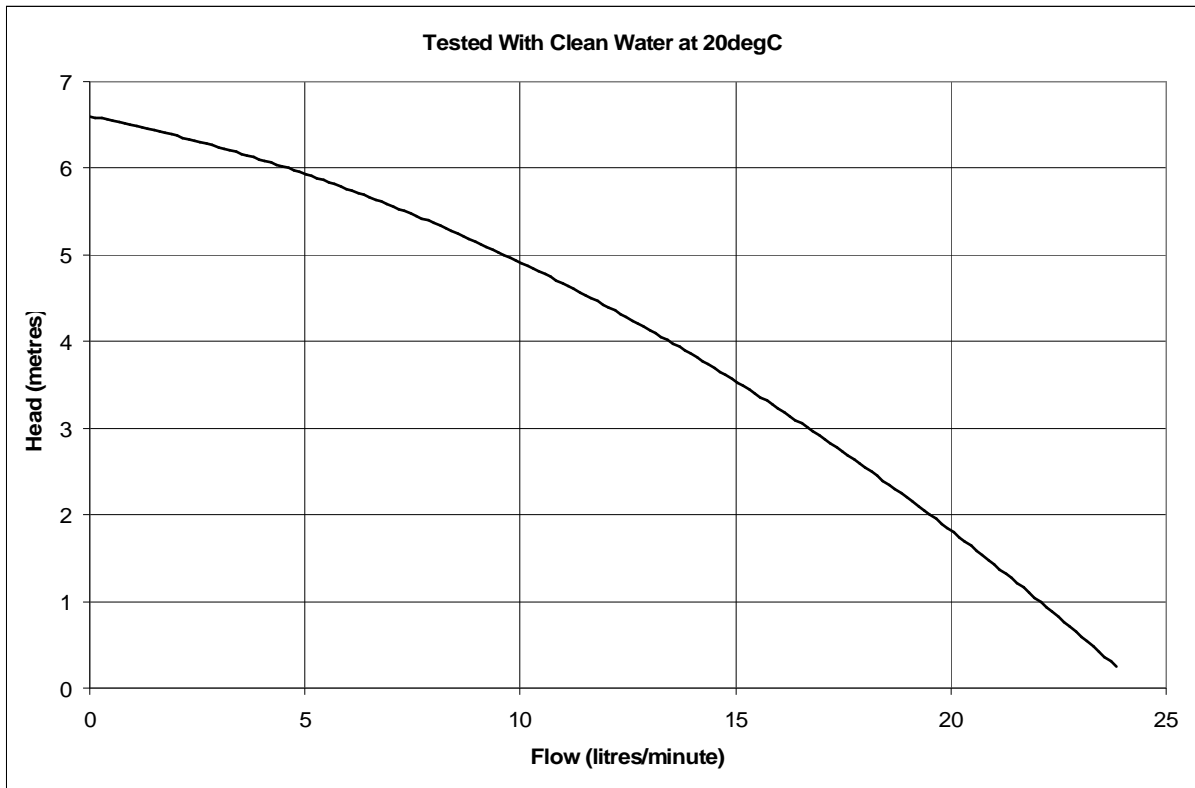
mounting foot fixing holes:M5

Specification

Model	Overall height (mm)	Overall length (mm)	Overall width (mm)	Weight (kg)	Max body pressure (bar)	Run-out flow rate (l/min)	Closed valve head (m)	Temp range (degC)	*Max specific gravity	Motor output (watts)
DC15/5	86	146	74	0.7	1.4	23	6.5	-20 to +85	1.0	25

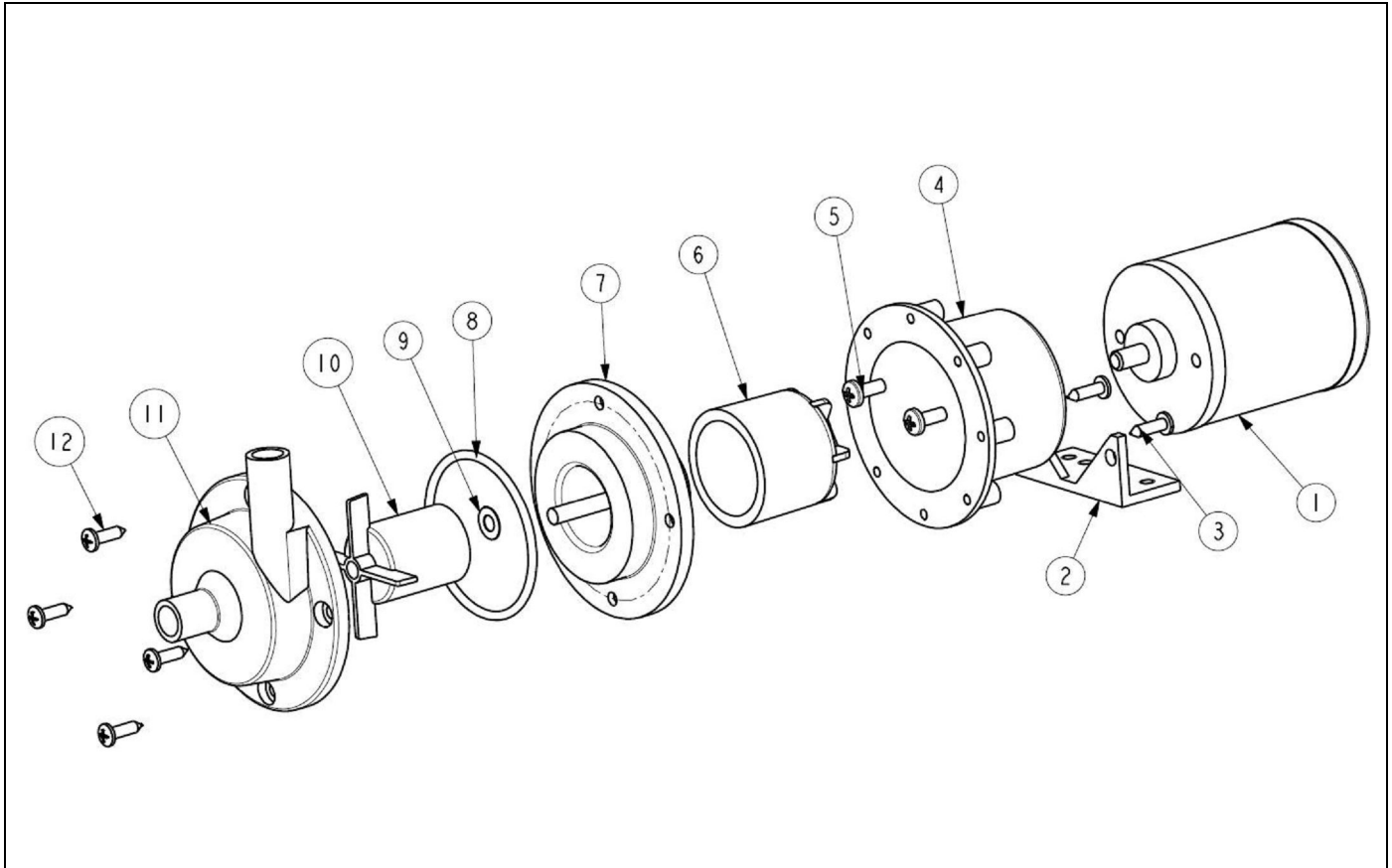
*Assuming maximum viscosity of 30cp. Refer to Totton Pumps for higher viscosities and specific gravities

Performance



DC pumps are not self -priming and are not designed to run dry.
 The company reserves the right change specifications.

Part List



Item Number	Description	Quantity	Part Number			
1	Motor	1	013808 (12V)		013809 (24V)	
2	Mounting Bracket	1	043308			
3/5	Screw	1	022163			
4	Adaptor	1	003145			
6	Drive Magnet	1	023267			
7	Spindle Housing	1	003357			
8	O-ring	1	013291 (EPDM)	003265 (Viton)	003224 (Nitrile)	023224 (Silicone)
9	Shim	1	001624			
10	Impeller	1	003355			
11	Pump Body	1	013358 (plain)		013364 (threaded)	
12	Screw	4	022163			

Totton Pumps Ltd.
 Tel: +44 (0) 23 8066 6685
 Fax: +44 (0) 23 8066 6880
 Email: info@totton-pumps.com
 Web: www.totton-pumps.co.uk