

Principal applications

For applications requiring safe, leak-free continuous flow of aggressive chemicals, acids, alkalis, solvents, sterile & chilled fluids.

Wetted materials

Standard EPDM 'O' ring, optional Nitrile or Viton
 PP encapsulated magnet
 PP pump housing, PPS optional
 PPS spindle housing
 Alumina ceramic spindle
 all PPS version available for high temperature/pressure applications

Features

Manufactured in chemical resistant thermoplastics - entirely non-metallic
 Magnetic couplings provide an energy efficient thermal shield,
 minimising heat transfer to pumped fluids.
 IP 54 motor housing standard. IP55 version available.
 Deep groove ball bearings

NEMP 50/7
 230V 1ph 50Hz
 230V 1ph 50Hz
 230V 1ph 60Hz
 230V 1ph 60Hz

Port Details
 Plain 21mm
 1/2" BSP M
 Plain 21mm
 1/2" BSP M

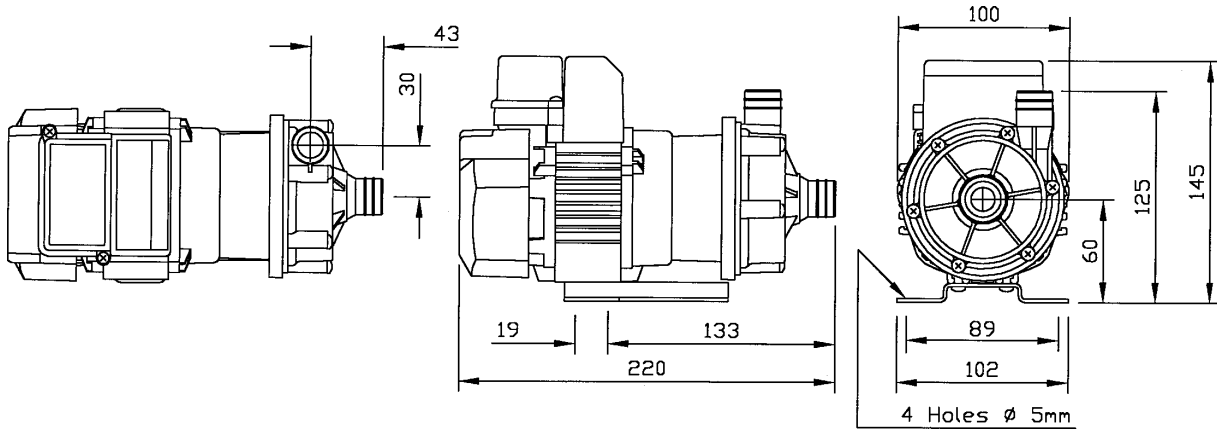
NEMP 50/7
 110V 1ph 50Hz
 110V 1ph 50Hz
 110V 1ph 60Hz
 110V 1ph 60Hz

Port Details
 Plain 21mm
 1/2" BSP M
 Plain 21mm
 1/2" BSP M



Drawings not to scale
 Dimensions in millimetres

NEMP 50/7

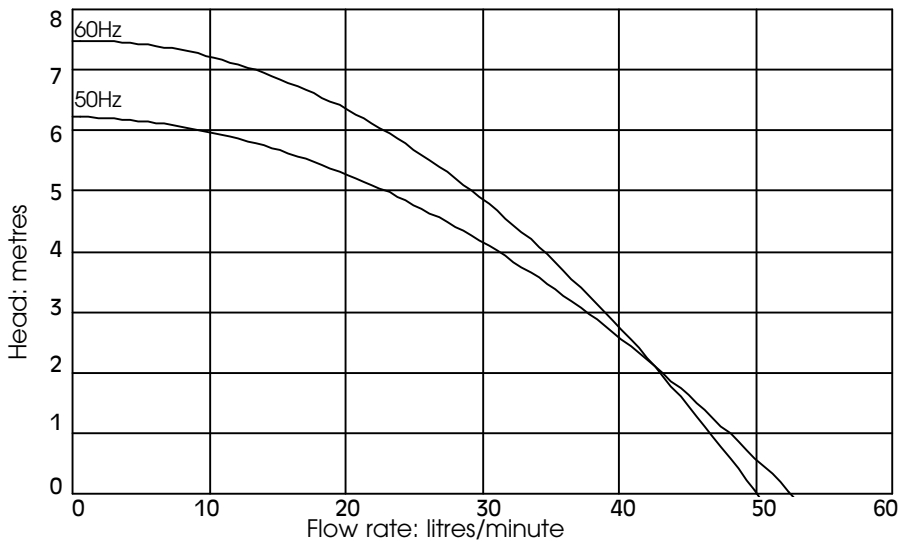


Specification

Model	Overall height mm	Overall length mm	Overall width mm	Weight kilos	Max body pressure bar	Max capacity litres/min	Max head metres	Temp range °c	*Max specific gravity	Motor output Watts
NEMP 50/7	145	220	102	3.2	1.4	50Hz 53	6.2	-20° to +85°	1.2	60
						60Hz 50	7.5			

*assuming maximum viscosity Of 30cp. Refer to the Company for higher viscosities & specific gravities

Performance Tested with clean cold water @ 20° c



NOTE: These magnetically coupled pumps are designed for use with clean fluids. Solids will cause jamming. Abrasives will reduce pump life & invalidate the warranty. NEMP pumps are not self priming & are not designed to run dry

The company reserves the right to change specifications

a division of *the* Electric Motor Company Limited

phone+44 (0)23 8066 6685
 fax+44 (0)23 8066 6880
 email: info@totton-pumps.com
 www. totton-pumps.co.uk