



Principal applications

For applications requiring safe, leak-free continuous flow of aggressive chemicals, acids, alkalis, sterile & chilled fluids.

Wetted materials

- Standard EPDM 'O' ring, optional Nitrile or Viton
- PP encapsulated magnet
- PP pump housing
- PPS spindle housing
- Alumina ceramic spindle

Features

- Manufactured in chemical resistant thermoplastics - entirely non-metallic
- Magnetic couplings provide an energy efficient thermal shield, minimising heat transfer to pumped fluids.
- IP 54 motor housing standard
- Deep groove ball bearings

NEMP 40/6
230V 1ph 50Hz
230V 1ph 50Hz
230V 1ph 60Hz
230V 1ph 60Hz

Port Details
Plain 15mm
³/₈" BSP M
Plain 15mm
³/₈" BSP M

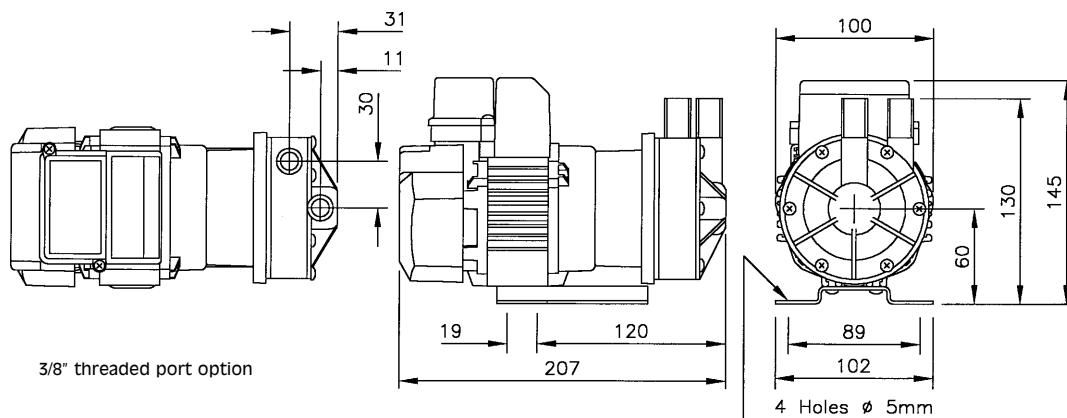
NEMP 40/6
110V 1ph 50Hz
110V 1ph 50Hz
110V 1ph 60Hz
110V 1ph 60Hz

Port Details
Plain 15mm
³/₈" BSP M
Plain 15mm
³/₈" BSP M



Drawings not to scale
 Dimensions in millimetres

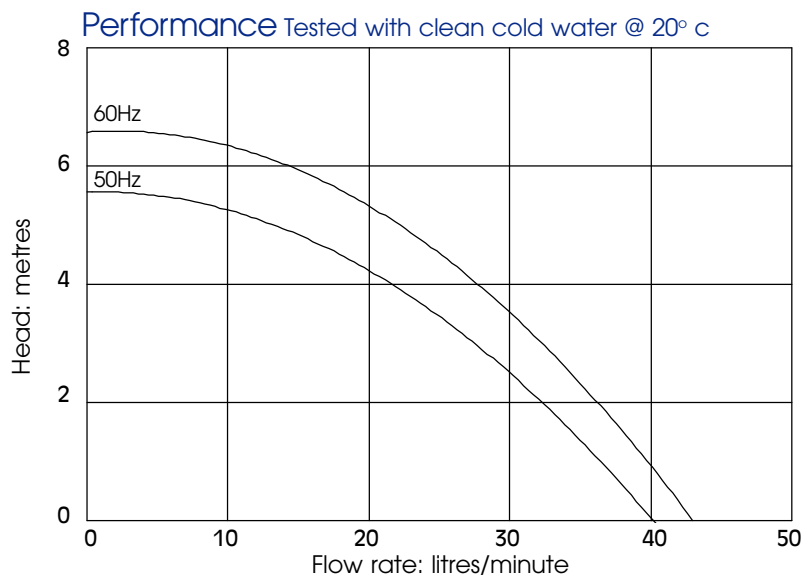
NEMP 40/6



Specification

Model	Overall height mm	Overall length mm	Overall width mm	Weight kilos	Max body pressure bar	Max capacity litres/min	Max head metres	Temp range °c	*Max specific gravity	Motor output Watts
NEMP40/6	145	207	102	2.4	1.4	50Hz 40	50Hz 5.6	-20° to +85°	1.2	60
						60Hz 43	60Hz 6.6			

*assuming maximum viscosity Of 30cp. Refer to the Company for higher viscosities & specific gravities



NOTE: These magnetically coupled pumps are designed for use with clean fluids. Solids will cause jamming. Abrasives will reduce pump life & invalidate the warranty. NEMP pumps are not self priming & are not designed to run dry

The company reserves the right to change specifications

a division of *the* Electric Motor Company Limited

phone+44 (0)23 8066 6685

fax+44 (0)23 8066 6880

email: info@totton-pumps.com

www. totton-pumps.co.uk