



### Principal applications

For applications requiring continuous high pressure/ low flow of aggressive chemicals. Widely used for fume scrubbing, laser cooling and chemical spraying applications

### Wetted materials

Standard EPDM 'O' ring, optional Nitrile or Viton  
PP encapsulated magnet  
PP pump housing  
Alumina ceramic spindle & thrust washer

### Features

Local &/or external Digital keypad control, low current 0-10V DC signal  
Longevity & Maintenance free benefits of magnetic coupling  
Deep groove motor ball bearings  
IP 55 motor housing standard

NEMP 20/30 IV

NEMP 20/30 IV High SG

230V 1ph 50/60Hz

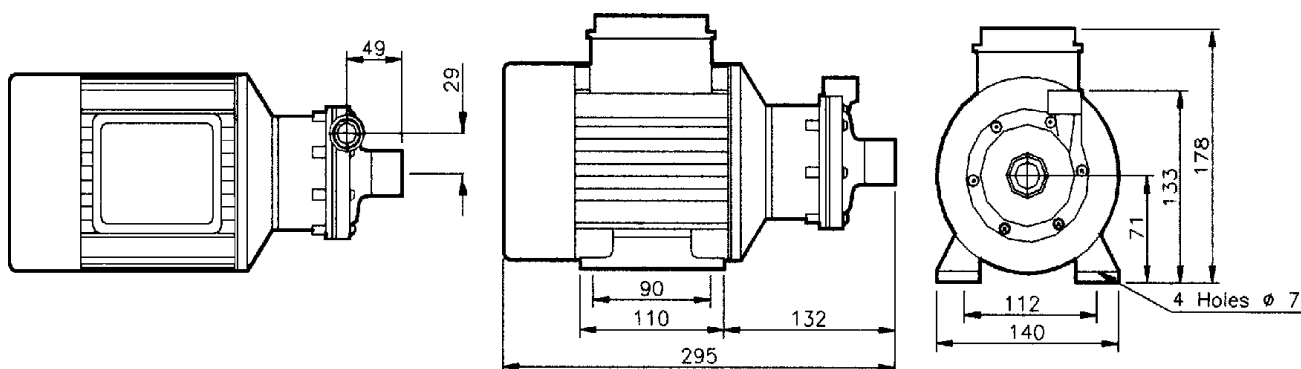
Port Details

Inlet 1/2" BSP F outlet 3/8" BSP F



Drawings not to scale  
Dimensions in millimetres

## NEMP 20/30IV



### Specification

Model	Overall height mm	Overall length mm	Overall width mm	Weight kilos	Max body pressure bar	*Specific gravity	Max capacity litres/min	Max head metres
NEMP 20/30IV	178	295	140	7.1	4.3	1.2	25.5	29.0
						High sg 1.8	20.5	21.5

\*assuming maximum viscosity Of 30cp.

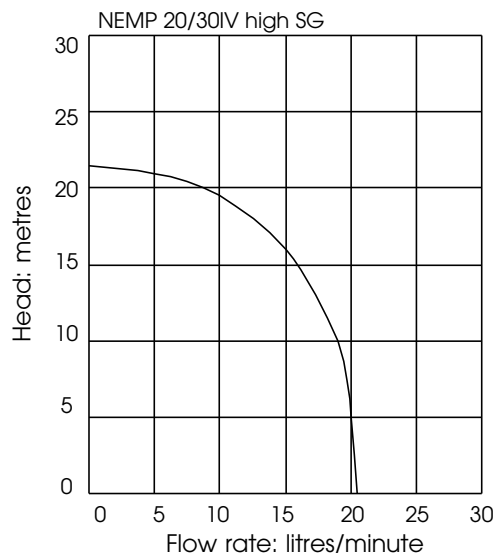
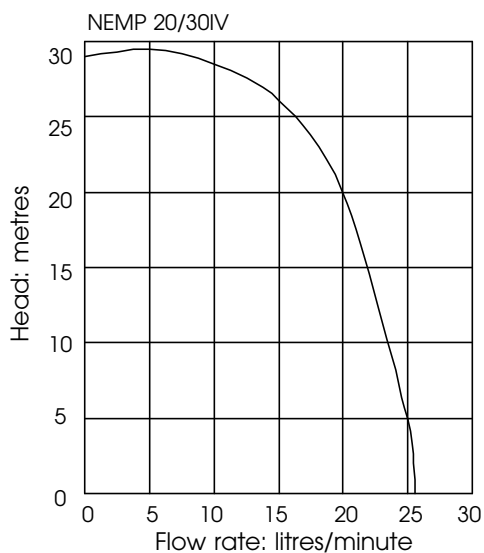
### Motor

Operating Temperature range -20°C to +40°C  
220/240V 3 phase maximum operating speed 7000 rpm  
3 metres 4 core 1mm<sup>2</sup> mains voltage cable connection to inverter

### Inverter

Supply to inverter 220/240V single phase 50/60Hz  
Inverter output 220/240 3 phase 0.5 to 120Hz  
Maximum run current 1.5 amps  
Operating temperature -10°C to +50°C

### Performance Tested with clean cold water @ 20° c, run at 120Hz (max speed)



NOTE: These magnetically coupled pumps are designed for use with clean fluids. Solids will cause jamming. Abrasives will reduce pump life & invalidate the warranty. NEMP pumps are not self priming & are not designed to run dry

The company reserves the right to change specifications

a division of *the* Electric Motor Company Limited

phone+44 (0)23 8066 6685

fax+44 (0)23 8066 6880

email: info@totton-pumps.com

www.totton-pumps.co.uk