



### Principal applications

For continuous transfer/recirculation of aggressive chemicals, chilled water, pure or precious liquids, in photographic, reprographic, X-Ray and industrial processing equipment, particularly where space is limited.

### Wetted materials

Standard EPDM 'O' ring, optional Nitrile or Viton®  
PP encapsulated magnet  
PP/ PPS housing  
Alumina ceramic spindle

### Features

Manufactured in chemical resistant thermoplastics - entirely non-metallic  
Magnetic couplings provide an energy efficient thermal shield,  
minimising heat transfer to pumped fluids.

Leak free continuous operation

Drip-proof IP22 motor housing

Zero maintenance

#### NDP 25/4

230V 1ph 50Hz  
230V 1ph 50Hz  
230V 1ph 60Hz  
230V 1ph 60Hz

#### Port Details

Plain 21mm inlet, 16.5mm outlet  
½" BSP M inlet, ⅜" BSP M outlet  
Plain 21mm inlet, 16.5mm outlet  
½" BSP M inlet, ⅜" BSP M outlet

#### NDP 25/4

110V 1ph 50Hz  
110V 1ph 50Hz

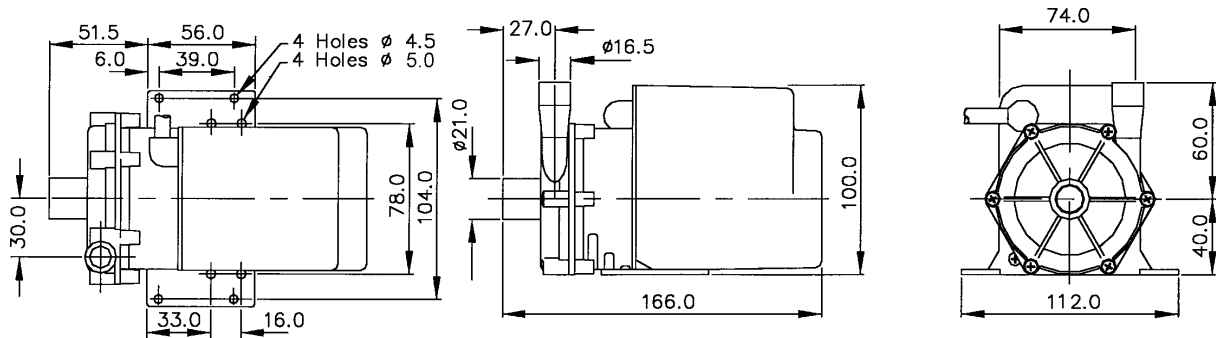
#### Port Details

Plain 21mm inlet, 16.5mm outlet  
½" BSP M inlet, ⅜" BSP M outlet



Drawings not to scale  
 Dimensions in millimetres

# NDP25/4

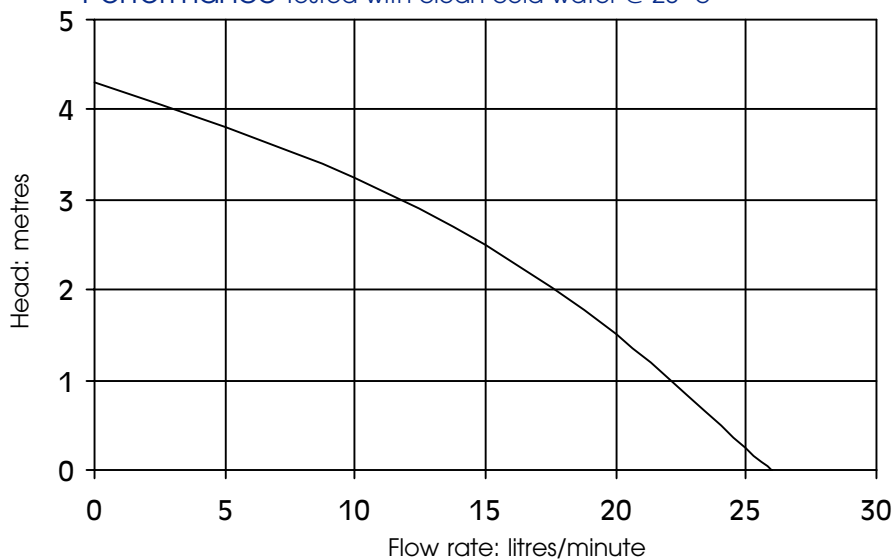


## Specification

Model	Overall height mm	Overall length mm	Overall width mm	Weight kilos	Max body pressure bar	Max capacity litres/min	Max head metres	Temp range °c	*Max specific gravity	Motor output Watts
NDP 25/4	100	166	112	2.0	1.4	25	4.2	-20° to +85°	1.0	18

\*assuming maximum viscosity of 30cp. Refer to the Company for higher viscosities & specific gravities

### Performance Tested with clean cold water @ 20° c



NOTE: These magnetically coupled pumps are designed for use with clean fluids. Solids will cause jamming. Abrasives will reduce pump life & invalidate the warranty.  
 NDP pumps are not self priming & are not designed to run dry  
 The company reserves the right to change specifications

a division of *the* Electric Motor Company Limited

phone+44 (0)23 8066 6685  
 fax+44 (0)23 8066 6880  
 email: info@totton-pumps.com  
 www.totton-pumps.co.uk