



Principal applications

For continuous transfer/recirculation of aggressive chemicals, chilled water, pure or precious liquids, in photographic, reprographic, X-Ray and industrial processing equipment, particularly where space is limited.

Wetted materials

Standard EPDM 'O' ring, optional Nitrile or Viton®
PP encapsulated magnet
Alumina ceramic spindle
PP pump housing
PPS option available

Features

Manufactured in chemical resistant thermoplastics - entirely non-metallic
Magnetic couplings provide an energy efficient thermal shield,
minimising heat transfer to pumped fluids.
Leak free continuous operation
Drip-proof IP22 motor housing
Zero maintenance

NDP 14/2

230V 1ph 50/60Hz
230V 1ph 50/60Hz

Port Details

Plain 13mm
1/4" BSP M

NDP 14/2

110V 1ph 50/60Hz
110V 1ph 50/60Hz

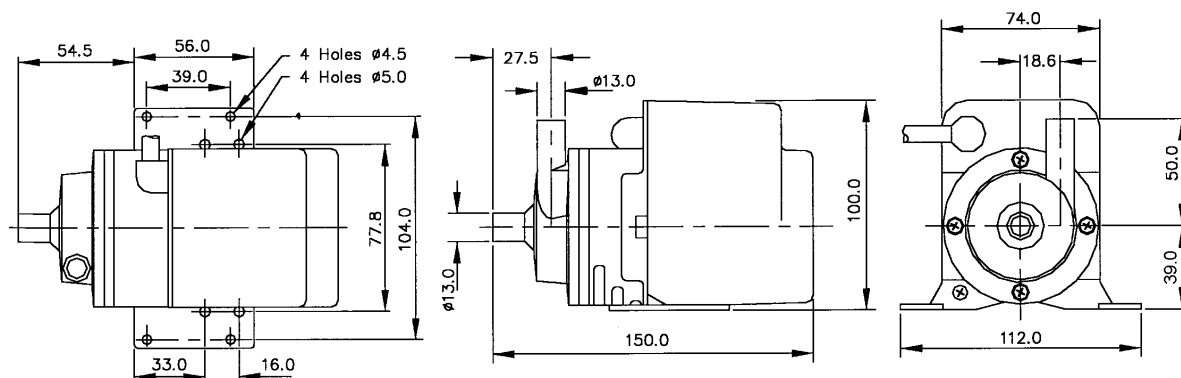
Port Details

Plain 13mm
1/4" BSP M



Drawings not to scale
 Dimensions in millimetres

NDP14/2

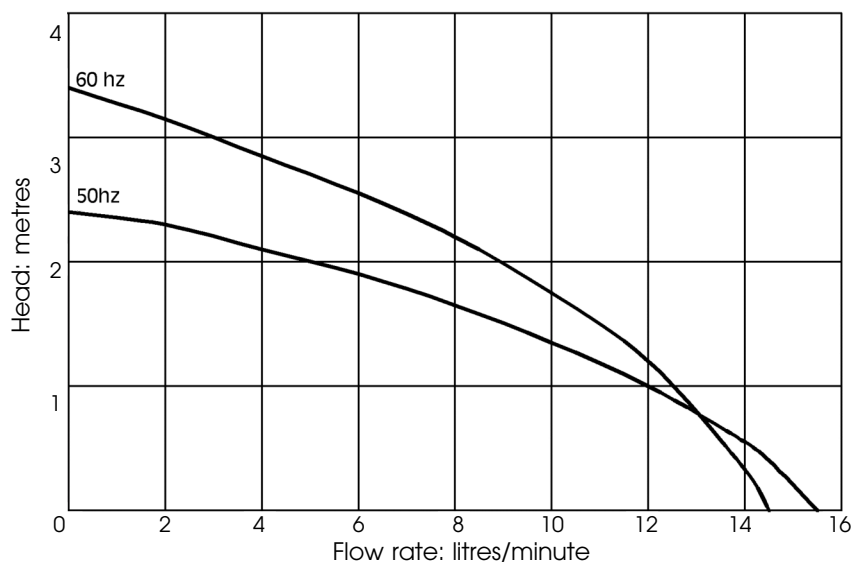


Specification

Model	Overall height mm	Overall length mm	Overall width mm	Weight kilos	Max body pressure bar	Max capacity litres/min	Max head metres	Temp range °c	*Max specific gravity	Motor output Watts
NDP 14/2	100	150	112	1.45	1.4	50Hz 15.5	2.4	-20° to +85°	1.2	10
						60Hz 14.5	3.4			

*assuming maximum viscosity of 30cp. Refer to the Company for higher viscosities & specific gravities

Performance Tested with clean cold water @ 20° c



NOTE: These magnetically coupled pumps are designed for use with clean fluids. Solids will cause jamming. Abrasives will reduce pump life & invalidate the warranty.
 NDP pumps are not self priming & are not designed to run dry
 The company reserves the right to change specifications

a division of *the* Electric Motor Company Limited

phone+44 (0)23 8066 6685
 fax+44 (0)23 8066 6880
 email: info@totton-pumps.com
 www.totton-pumps.co.uk