



Principal Applications

Designed for transfer, demand/delivery, filtration, high flow booster, carbonation, beverage dispense & continuous reverse osmosis application

Features

New multi-chamber technology with patented valve design overcomes vibration and hydraulic pulsation

Self-priming

Whisper Quiet

Energy efficient

AC and DC motor options

Alternative bypass pressures

Optional mounting orientation

Dry running without damage

Compatible with standard fittings

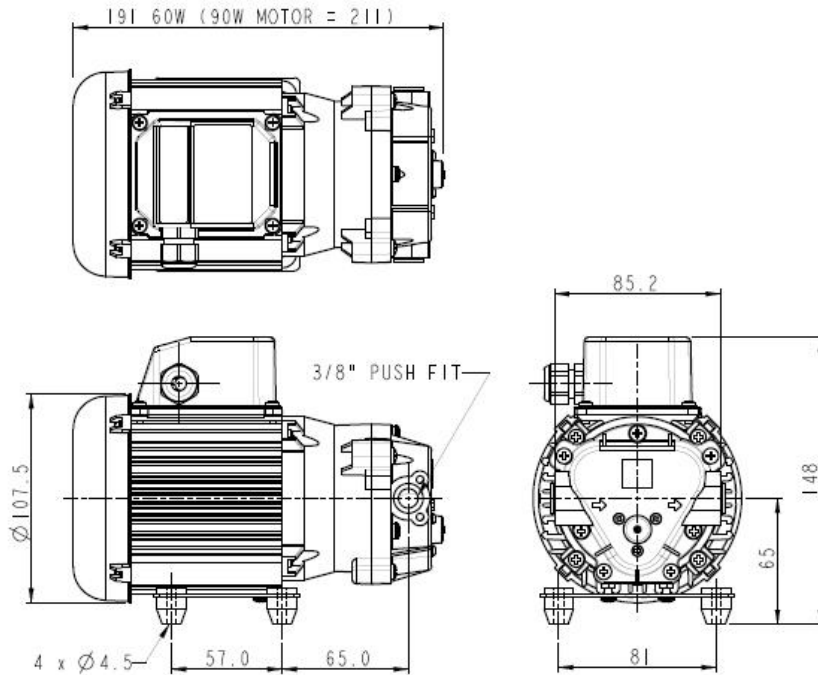
Corrosion and chemically resistant versions

AD4/90 Voltage Options

230V 1Ph 50/60Hz

110V 1Ph 50/60Hz

Drawings not to scale
 Dimensions in millimetres

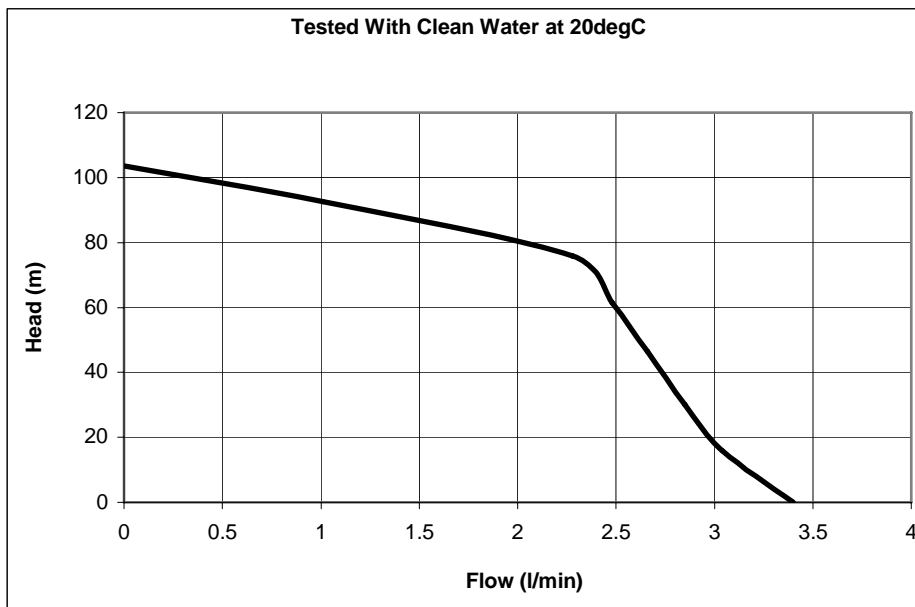


Specification

Model	Overall height (mm)	Overall length (mm)	Overall width (mm)	Weight (kg)	Max body pressure (bar)	Max capacity (l/min)	Max head (m)	Temp range (degC)	Motor output (watts)
AD4/90	148	191	108	3.8	20	3	89	0-77degC	55

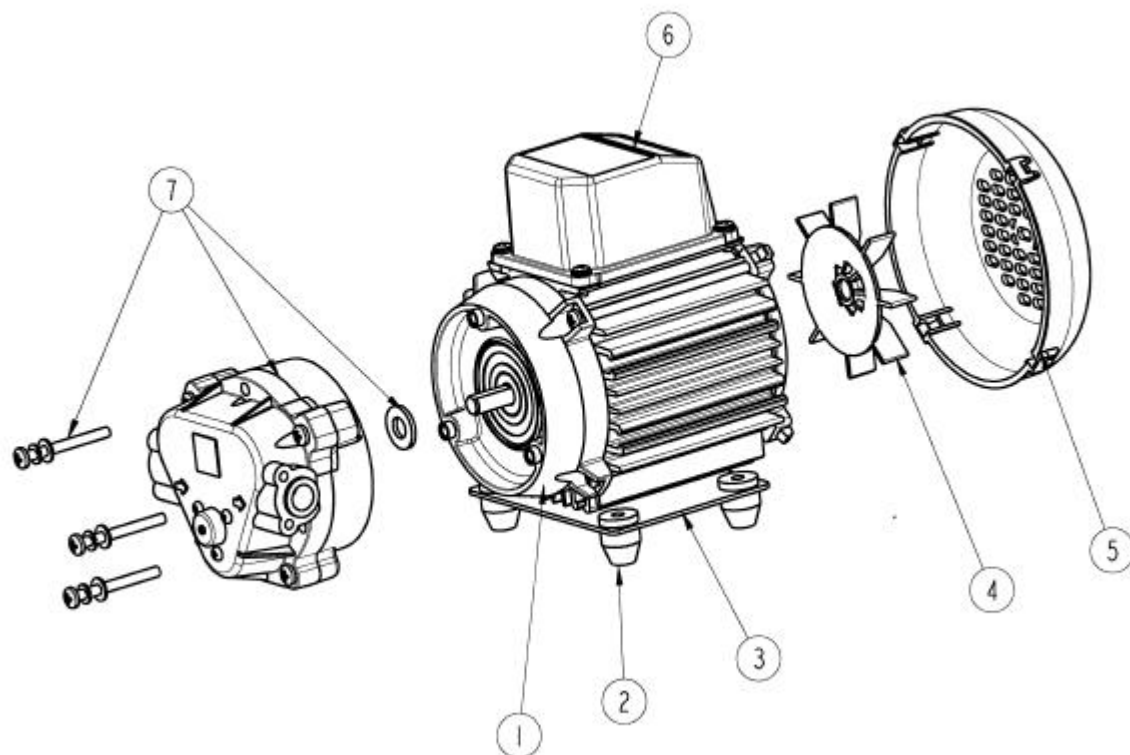
*Assuming maximum viscosity of 30cp. Refer to Totton Pumps for higher viscosities and specific gravities

Performance



NOTE: These diaphragm pumps are designed for use with clean fluids.
 Solids will cause reduced performance and damage the pump.
 Abrasives will reduce pump life & invalidate the warranty.
 AD pumps are self-priming and can run dry for limited periods.
 The company reserves the right to change specifications.

Part List



Item Number	Description	Quantity	Part Number	
1	Motor	1	116842 (230V)	116884 (110V)
2	Rubber Foot	1	022272	
3	Mounting Foot	1	036335	
4	Fan	1	001577	
5	Fan Cowl	1	036085	
6	Terminal Box	1	036078	
7	Pump Head	1	006779 (130psi Bypass)	

Totton Pumps Ltd.

Tel: +44 (0)23 8066 6685

Fax: +44 (0)23 8066 6880

Email: info@totton-pumps.com

Web: www.totton-pumps.co.uk